

WCB-Flow Products

AN SPX BRAND

Butterfly & Ball Valve

Butterfly & Ball Valves

Application

WCB-Flow Products offers butterfly and ball valves servicing a wide variety of markets. These valves are widely accepted for use in both sanitary and industrial markets. These valves are proven to be used with high viscous products, high temperatures, and corrosive elements. These valves are offered as a standard in Clamp (S-Line) and Weld connections, other connections are available upon request.

Butterfly Valves

Materials

Butterfly: Stainless Steel, 304 & 316

Seat Material: Silicone, EPDM, Viton

Finish: 32Ra ID & OD

Pressure Rating

Size (in)	70°F
1"	140 PSI
1 1/2"	140 PSI
2"	140 PSI
2 1/2"	110 PSI
3"	110 PSI
4"	85 PSI

Torque Rating

Size (in)	Torque (in-lb)
1"	52
1 1/2"	70
2"	105
2 1/2"	195
3"	230
4"	350



Ball Valves

Materials

Ball: Stainless Steel, 316

Seat Material: Teflon

Finish: 32Ra ID & OD

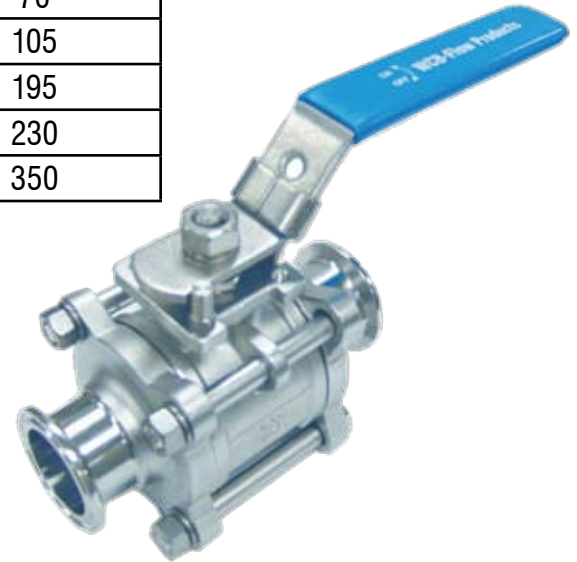
Features: 5211, Universal Mounting Pad

Pressure Rating

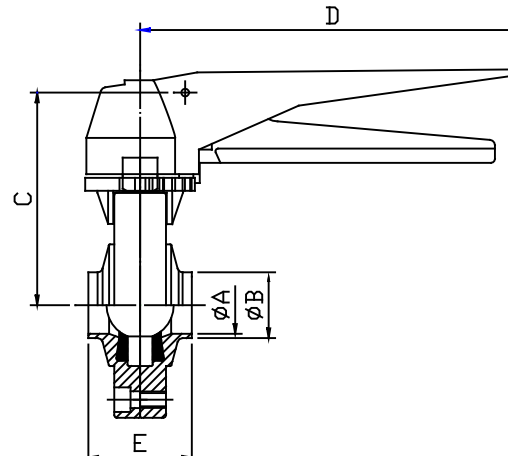
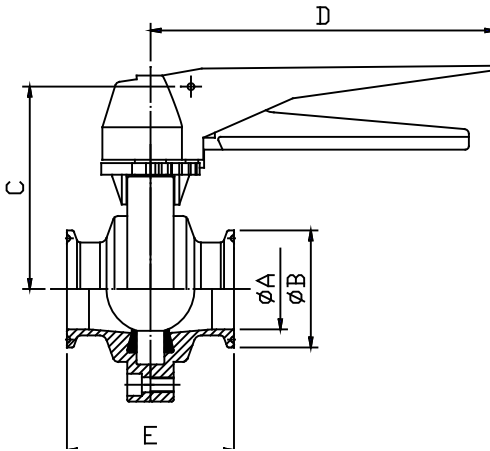
Size (in)	70°F	200°F	300°F
1/2"	1300 PSI	900 PSI	600 PSI
3/4"	1300 PSI	900 PSI	600 PSI
1"	1100 PSI	775 PSI	450 PSI
1 1/2"	1100 PSI	775 PSI	450 PSI
2"	900 PSI	700 PSI	425 PSI
2 1/2"	900 PSI	700 PSI	425 PSI
3"	900 PSI	700 PSI	425 PSI
4"	900 PSI	700 PSI	425 PSI

Torque Rating

Size (in)	Torque (in-lb)
1/2"	42
3/4"	58
1"	83
1 1/2"	150
2"	298
2 1/2"	512
3"	685
4"	996



Butterfly Valves Dimensions



Clamp Connections

Size (Inch)	Part Number		A	B	C	D	E
	304	316					
1	200L07104-E-V-S*	200L07106-E-V-S*	0.87	1.98	3.23	5.91	2.52
1.5	200L07204-E-V-S*	200L07206-E-V-S*	1.37	1.98	3.43	5.91	2.83
2	200L07304-E-V-S*	200L07306-E-V-S*	1.87	2.52	3.68	5.91	2.83
2.5	200L07404-E-V-S*	200L07406-E-V-S*	2.37	3.05	3.68	5.91	2.99
3	200L07504-E-V-S*	200L07506-E-V-S*	2.87	3.58	4.02	5.91	2.99
4	200L07604-E-V-S*	200L07606-E-V-S*	3.83	4.68	4.70	5.91	4.09

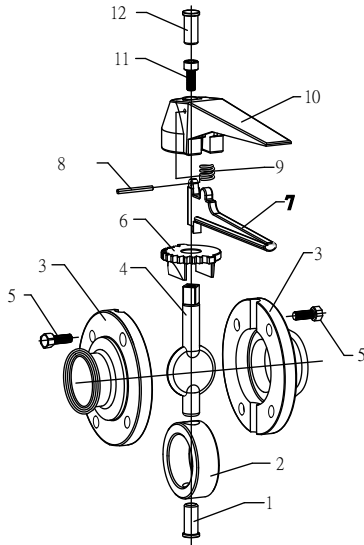
*E=EPDM, V=Viton, S=Silicon

Weld Connections

Size (Inch)	Part Number		A	B	C	D	E
	304	316					
1	200907104-E-V-S*	200907106-E-V-S*	0.87	1	3.23	5.91	1.57
1.5	200907204-E-V-S*	200907206-E-V-S*	1.37	1.5	3.43	5.91	1.97
2	200907304-E-V-S*	200907306-E-V-S*	1.87	2	3.68	5.91	1.97
2.5	200907404-E-V-S*	200907406-E-V-S*	2.37	2.5	3.68	5.91	1.97
3	200907504-E-V-S*	200907506-E-V-S*	2.87	3	4.02	5.91	1.97
4	200907604-E-V-S*	200907606-E-V-S*	3.83	4	4.70	5.91	2.52

*E=EPDM, V=Viton, S=Silicon

Parts Breakdown (For Reference)



Item	QTY	Description	Material
6,7,8,9,10	1	Multi-Position Handle	
12	1	Handle Cap	NBR
11	1	Handle Screw	304
3	2	Body Half Clamp	304 or 316L
5	4	Body Bolt	304
1	1	Body Cap	NBR
4	1	Disc	304 or 316L
2	1	Seal (EPDM, Silicone, Viton)	

Replacement Butterfly Seals (Item 2)

Part Number	Description
200000100E	1" EPDM Seal
200000100V	1" Viton Seal
200000100S	1" Silicon Seal
200000200E	1.5" EPDM Seal
200000200V	1.5" Viton Seal
200000200S	1.5" Silicon Seal
200000300E	2" EPDM Seal
200000300V	2" Viton Seal
200000300S	2" Silicon Seal
200000400E	2.5" EPDM Seal
200000400V	2.5" Viton Seal
200000400S	2.5" Silicon Seal
200000500E	3" EPDM Seal
200000500V	3" Viton Seal
200000500S	3" Silicon Seal
200000600E	4" EPDM Seal
200000600V	4" Viton Seal
200000600S	4" Silicon Seal

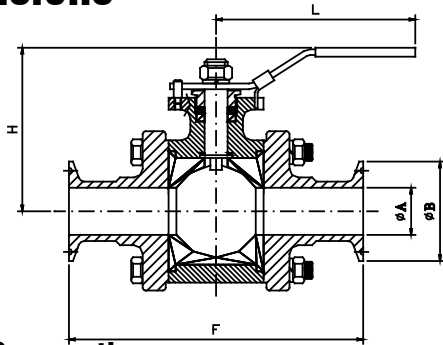
Replacement Handles (Items 7,10,11,12)

(Includes Handle, Positioner, Screw & Cap)

Description	Part Number
Valve Handle-1.0"-3.0"	200000500H
Valve Handle-4.0"	200000600H

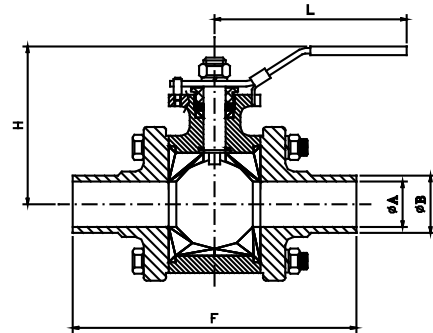
Ball Valves

Dimensions



Clamp Connections

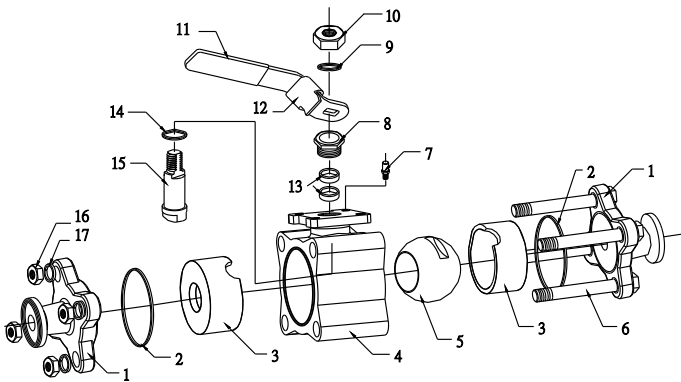
Size (Inch)	Part Number	ISO-5211	H	F	L	øA	øB
0.5	250L07E06T	F03	2.17	3.50	5.20	0.37	1.00
0.75	250L07F06T	F03	2.36	3.98	5.20	0.63	1.00
1	250L07106T	F04	2.72	4.49	6.50	0.87	1.98
1.5	250L07206T	F05	3.31	5.51	7.64	1.38	1.98
2	250L07306T	F05	3.62	6.14	7.64	1.87	2.52
2.5	250L07406T	F07	5.00	7.76	9.92	2.37	3.05
3	250L07506T	F07	5.35	9.02	9.92	2.87	3.58
4	250L07606T	F10	6.26	9.57	13.11	3.83	4.68



Weld Connections

Size (Inch)	Part Number	ISO-5211	H	F	L	øA	øB
0.5	250907E06T	F03	2.36	3.50	5.20	0.37	0.50
0.75	250907F06T	F03	2.56	3.98	5.20	0.63	0.75
1	250907106T	F04	2.72	4.49	6.50	0.87	1.00
1.5	250907206T	F05	3.50	5.51	7.64	1.38	1.50
2	250907306T	F05	3.82	6.14	7.64	1.87	2.00
2.5	250907406T	F07	5.00	7.76	9.92	2.37	2.50
3	250907506T	F07	5.31	9.02	9.92	2.87	3.00
4	250907506T	F10	6.26	9.57	13.11	3.83	4.00

Parts Breakdown (For Reference)



Item	QTY	Description	Material
1	2	Tail Piece	A351-CF8M
2	2	Gasket	PTFE
3	2	Ball Seat	PTFE
4	1	Body	A351-CF8M
5	1	Ball	A351-CF8M
6	4/6	Bolt	AISI-304
7	1	Stopper Pin	AISI-304
8	1	Gland	AISI-304
9	1	Washer	AISI-304
10	1	Nut	AISI-304
11	1	Handle	AISI-304
12	1	Lock Device	AISI-304
13	1	Stem	PTFE
14	1	Thrust Washer	PTFE
15	1	Stem Packing	AISI-304
16	4/8/12	Bolt Nut	AISI-304
17	4/8/12	Bolt Washer	AISI-304

Replacement Kits for 250BV series ball valves

(Ball seat x 2 + body gasket x 2 + thrust washer x 1 + stem packing x 1) : 2500000EKIT

0.5"	2500000EKIT
0.75"	2500000FKIT
1.0"	25000001KIT
1.5"	25000002KIT
2.0"	25000003KIT
2.5"	25000004KIT
3.0"	25000005KIT
4.0"	25000006KIT

Replacement Handles (Item 11 & 12)

Description	Part Number
Valve Handle-.5" & .75"	2500000F00H
Valve Handle-1.0"	2500000100H
Valve Handle-1.5" & 2.0"	2500000300H
Valve Handle-2.5" & 3.0"	2500000500H
Valve Handle-4.0"	2500000600H

Other WCB-Flow Product Offerings



Sanitary Fittings



BPE Fittings



Tubing



Specialty Products

For more information about our worldwide locations, approvals and certifications, and local representatives, please visit our web site.

Phone: (800)777-1325

Fax: (716)875-4105

Web Site: www.spxpe.com

E-Mail: wcbfp@processequipment.spx.com

SPX Process Equipment

Your local contact

699 Hertel Ave Suite 260 Buffalo, NY 14207 Telephone: (800)777-1325 Fax: (716)875-4105

SPX Process Equipment reserves the right to incorporate our latest design and material changes without notice or obligation. Design features, materials of construction and dimensional data, as described in this bulletin, are provided for your information only and should not be relied upon unless confirmed in writing. Certified drawings are available upon request.

Issued: 3/07 DS-1230